

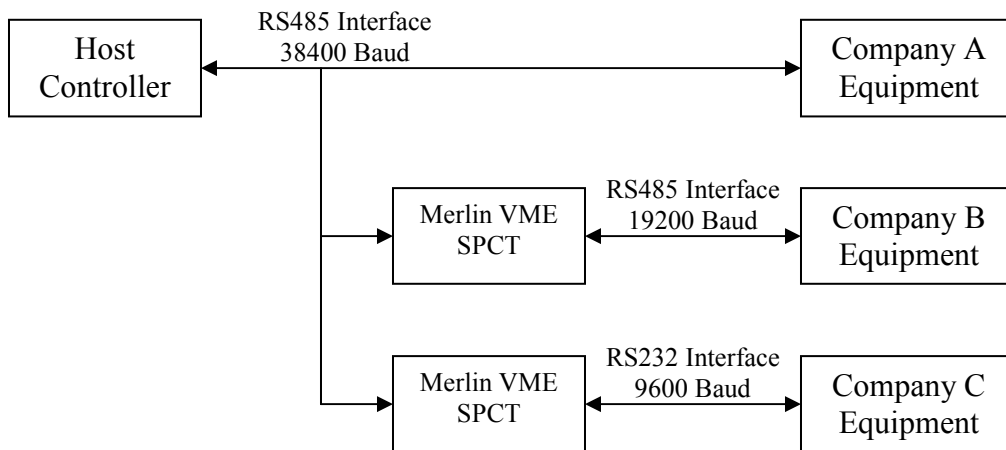
Merlin VME Serial Protocol Command Translator

The Merlin VME Serial Protocol Command Translator or SPCT is a generic device that allows users to interface their existing serial interface to new equipment without any changes to wiring or software.

The SPCT acts as a transparent bridge between the user's existing software/physical interface and the new equipment. Commands coming into the SPCT Master Port are translated into commands that the equipment connected to the Slave Port can understand. Responses from the Slave Port are translated into the responses that the Controller can understand. The SPCT solves problems such as differences in baud rate, connector types, and connector pin-outs. In addition to translating software protocols, the SPCT may also be used as an RS232/RS485 converter allowing the user to construct an RS485 network using equipment that has only an RS232 interface.

When ordering the specific model of the SPCT the user need only specify the equipment for which his software/interface is designed and the new equipment he wishes to install. Switches on the side of the module allow the user to select the baud rate of each port. The user may also specify each port as either RS232 or RS485.

Assuming that SPCT model is in stock then delivery is typically within 3 days. Models that have not been previously designed typically require no more than 2 weeks to deliver.



Typical SPCT Application