

## *Merlin VME GPIB/Serial Protocol Translator*

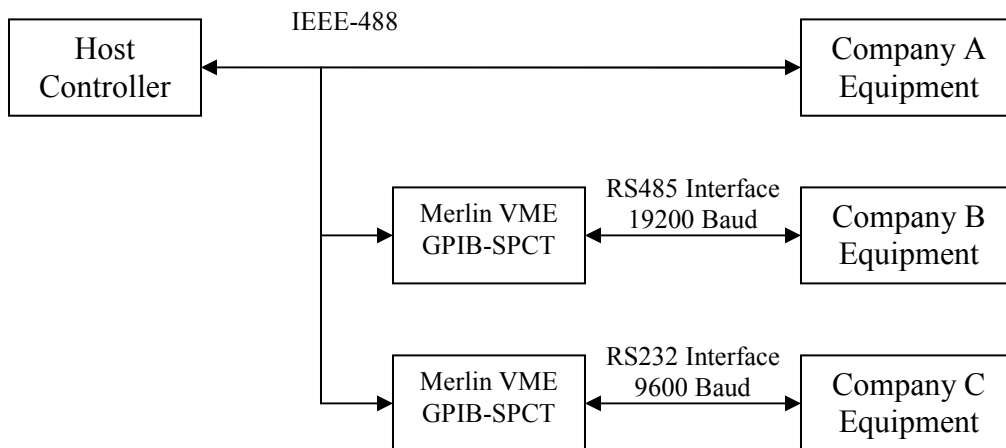
The Merlin VME GPIB/Serial Protocol Command Translator or GPIB-SPCT is a generic device that provides a transparent bridge between an IEEE-488 port and an RS232/RS485 port.

In its most basic form the GPIB-SPCT acts as an interface bridge. Address, command, and data are transferred across the interface without any sort of modification.

However, the GPIB-SPCT may also act as a transparent bridge between the user's existing software/physical interface and new equipment. Commands coming into the GPIB-SPCT Master Port are translated into commands that the equipment connected to the Slave Port can understand. Responses from the Slave Port are translated into the responses that the Controller can understand. The GPIB-SPCT solves problems such as differences in baud rate, connector types, and connector pin-outs.

When ordering the specific model of the GPIB-SPCT the user need only specify the equipment for which his software/interface is designed and the new equipment he wishes to install. Switches on the side of the module allow the user to select the baud rate of the serial port. The user may also specify the serial port as either RS232 or RS485.

Assuming that GPIB-SPCT model is in stock then delivery is typically within 3 days. Models that have not been previously designed typically require no more than 2 weeks to deliver.



**Typical GPIB-SPCT Application**