

Merlin VME 9120 Temperature Monitoring System

The Merlin VME 9120 Temperature Monitoring System uses a USB to 1-Wire interface that allows the user to monitor up to 64 digital thermometers. As shown in Figure 1 each set of 16 digital thermometers are daisy chained together and require only 1 wire for communication, whereas a typical temperature monitoring system using thermocouples would require 2 wires per thermocouple. The Merlin VME 9120 is powered from either the USB interface or from an AC power source.

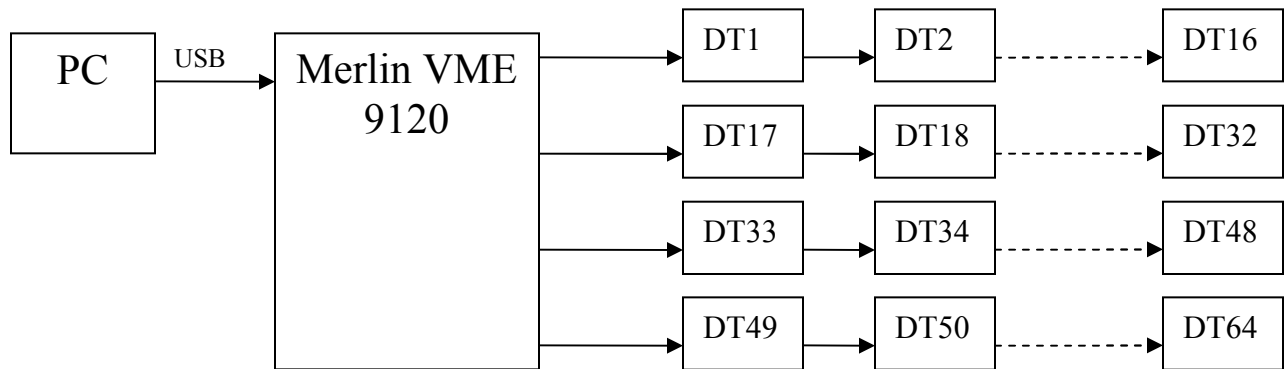


Figure 1. Merlin VME 9120 Block Diagram

The digital thermometers operate over a temperature range of -55°C to $+125^{\circ}\text{C}$. They are attached to the point to be monitored by a small copper wire.

The base model is priced at \$1,495 and comes with a set of 16 digital thermometers. Additional digital thermometers may be ordered for \$19.95 each.

The Merlin VME 9120 also offers an optional Ethernet and RS422 interface.